

V R C I
SMT-400

INDUSTRY STANDARD

SURFACE MOUNT, SEALED, 3MM

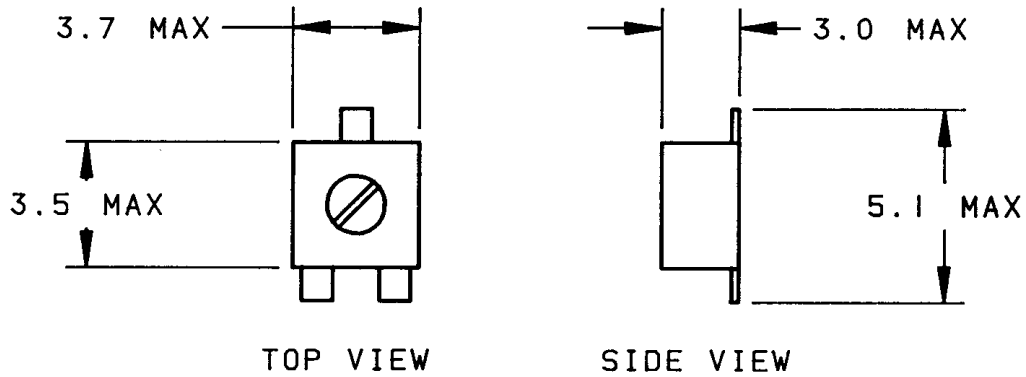
SINGLE-TURN TRIMMING POTENTIOMETER

MECHANICAL OUTLINES AND LAND PATTERNS

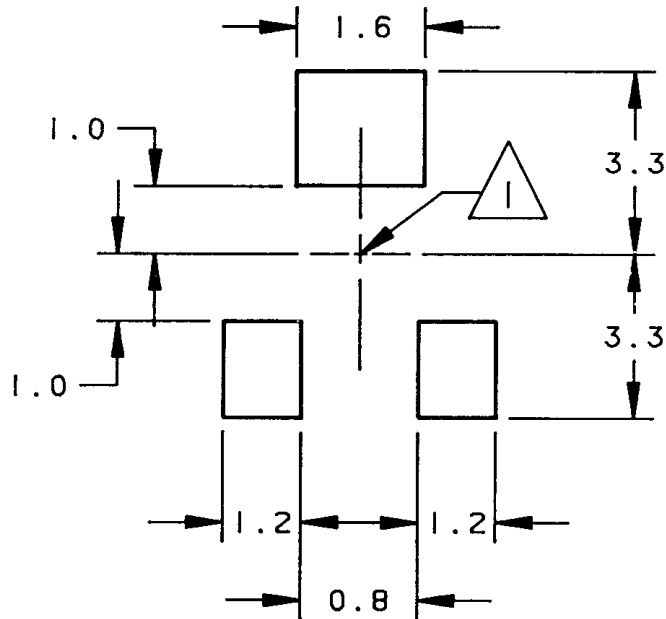
REVISION A 10-5-92

VARIABLE RESISTIVE COMPONENTS INSTITUTE
P.O. BOX 1070 VISTA, CALIFORNIA 92085-1070
(619) 727-3011 FAX (619) 727-6555

MECHANICAL OUTLINE GULL WING-STYLE



LAND PATTERN

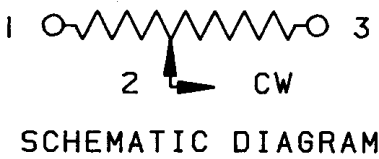


2. THIS LAND PATTERN IS RECOMMENDED BY VRCI MEMBER COMPANIES.

DEFINES CENTER OF TRIMMER BODY.

NOTES:

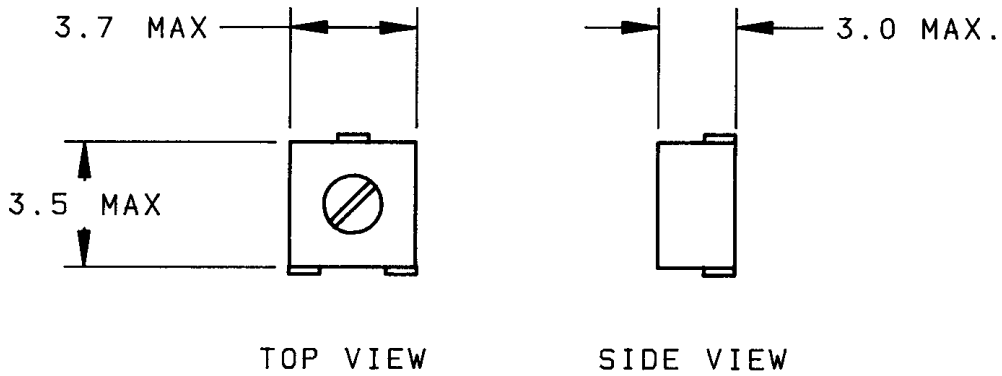
VRCI-SMT-400 Rev. A 10-5-92 pg 1 of 2



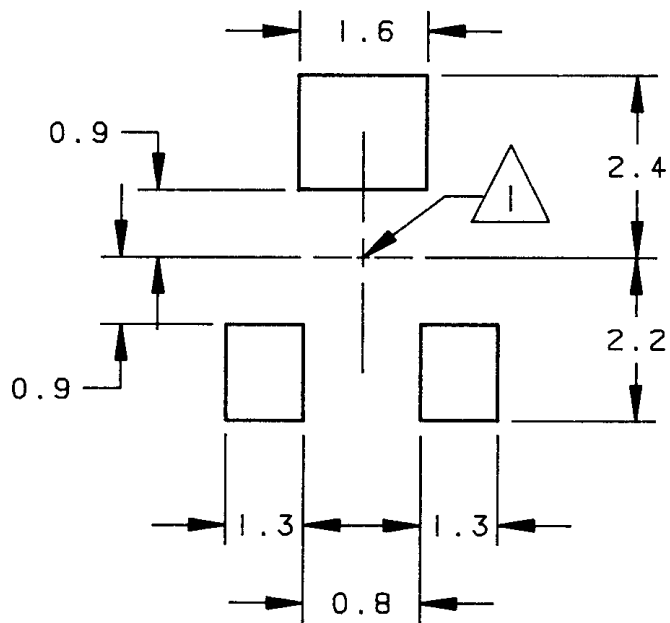
ALL DIMENSIONS ARE IN mm
STANDARD TOLERANCE $\pm .30\text{mm}$

**3mm SMT SEALED
SINGLE TURN TRIMMER
STANDARD
GULL WING-STYLE**


MECHANICAL OUTLINE
J-STYLE



LAND PATTERN



2. THIS LAND PATTERN IS RECOMMENDED BY VRCI MEMBER COMPANIES.


 1 DEFINES CENTER OF TRIMMER BODY.

NOTES:

VRCI-SMT 400 Rev. A 10-5-92 pg. 2 of 2



SCHEMATIC DIAGRAM


 ALL DIMENSIONS ARE IN mm
 STANDARD TOLERANCE $\pm .30$ mm

**3mm SMT SEALED
 SINGLE TURN TRIMMER
 STANDARD
 J-STYLE**